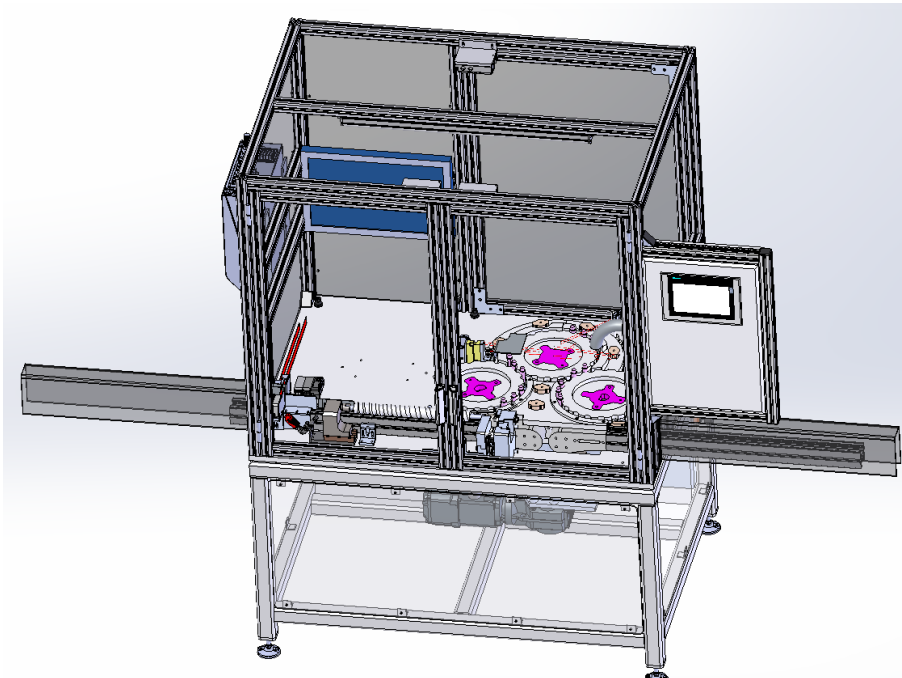


CONTINUOUS FLOW LASER MARKING MACHINE



Special Machinery
& Robotics



MACHINE
VIDEO:



UTILITY

Our continuous flow laser marking machine can engrave text or shapes on glass or plastic bottles. It is possible to engrave these elements on the bottom of the bottle. It is also able to check the marking thanks to vision.

Fully automated, it is able to mark up to 100 vials per minute on vial volumes ranging from 2 ml to 10 ml.

FEATURES

- Standard oval or round vials
- Marking on the bottom
- Verification of marking by vision
- Evacuation of non-conforming parts
- Machine speed = up to 100 vials per minute
- Able to control the machine at the speed of another machine

ACCESSORIES & OPTIONS

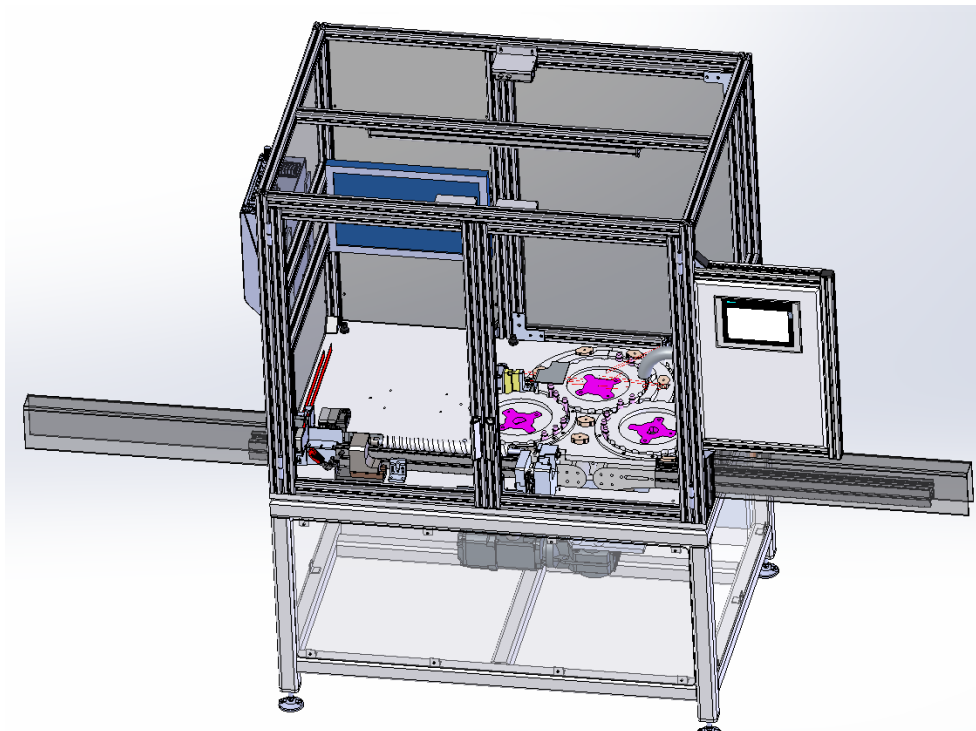
- Specific vials (up to 50ml)
- marking on the side
- Increased marking speed
- Remote maintenance by modem
- Chassis:
 - all stainless steel machine on request
 - choice of color
- Supervision adaptable to customer needs



CONTINUOUS FLOW LASER MARKING MACHINE



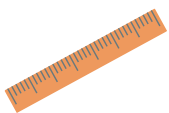
Special Machinery
& Robotics



MACHINE
VIDEO:



DATA SHEET



Machine dimensions

2 100 mm length x 1 200 mm depth x 2 100 mm high



Weight

1 000 kg



Electric Power supply

400 V



Installed power

4 kW



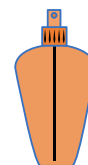
Compressed air networks required

6 bars



Production capacity

100 bottles per minute



Bottles

Shape: Oval or Round

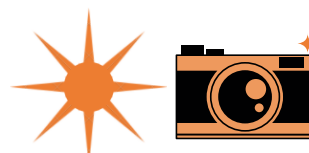
Size: from 2 to 10ml

Material: plastic or glass



Operators

0 operators
(automatic machine)



Number of lasers and cameras

Laser: 1

Camera: 1

*The information included in this catalog is for informational purposes only.
For more in detail information, contact us: +33 (2).31.39.04.05 ; contact@crei-france.com*